



Zip HydroTap

Filtered boiling and chilled water

BC Series



Zip HydroTap shown on optional Tap Font and drain

Energy Conservation

HydroTap features two energy saving modes

- **Integral 24 hour 7 day timer** enables the unit to switch off automatically during known periods of inactivity e.g. overnight or at weekends, returning to full functionality ahead of the next expected demand.
- **Inactivity Sleep Mode** enables the boiling water unit to power down automatically following a period of 2 or 4 hours non-use. This allows the water temperature to gradually reduce to 65°C, at which it is maintained. Upon further draw off boiling resumes.

Features

- Instant boiling water for tea, coffee and hot foods
- Instant filtered chilled drinking water from the same tap
- Integral triple action sub-micron filter
- Safety lock - if needed - requires finger/thumb operation
- Optional font allows installation away from the sink
- Boiling and chiller system housed in base unit
- Integral 24 hour, seven day timer
- Inactivity sleep mode
- Power-Pulse™ energy-saving technology

01.01.10



Model	Power Rating kW	Maximum Chilled Glasses/hr	Maximum Boiling Cups/hr	Dimensions (mm) W x D x H
BC150/175	2.1	175	150	500 x 465 x 395
BC100/125	1.7	125	100	440 x 430 x 337
BC60/85	1.7	85	60	440 x 430 x 337

Description

- Undersink instant boiling and chilled filtered water from the same tap
- Can be installed on a worktop or at a sink
- All components other than the tap in a single case with easy access to the filter
- Integral, fully encapsulated triple action submicron filter with optional scale filter system available
- Fan-cooled condenser type chilling system
- Programmable maximum measured water delivery
- Safety lock provides additional user safety, where required
- Oversized levers available for disabled users
- Available in 3 capacities
- Cool touch tap
- Lock-on tap facility for filling larger vessels
- Filter replacement indicator

- **Integral 24 hour 7 day timer** enables the unit to switch off automatically during known periods of inactivity, returning to full functionality ahead of the next expected demand.
- **Inactivity Sleep Mode.** Following a period of 2 or 4 hours inactivity unit powers down to 65°C, at which it is maintained. Boiling resumes upon further draw off.

Boiling system

Open outlet, vented system designed to operate at 98°C.

Chilling system

Fan-cooled condenser type.

Refrigerant

R134A.

Tap head

Chrome plated tap with electronic controls, integral safety lock and LED indicators.

Undersink system

Corrosion resistant white enamelled steel case with front access door and control panel.

Approvals

WRAS approved and CE endorsed.

Warranty

One-year on site parts and labour. For full details of the Zip Warranty Scheme visit: www.zipheaters.co.uk/warranty.

Installation

Location

Should be installed either on a suitable sink or on a Zip Tap Font. If installing on a sink, the tap should be mounted so that it will dispense into the sink.

The under-sink unit should be located, if possible, directly beneath the tap and not more than 1 metre away. It must be installed with clearances of 50mm to the left and right and 65mm at rear.

Plumbing

The water supply must be potable (drinkable). If static pressure exceeds 7 bar, a pressure reducing valve needs to be fitted. An isolating

valve should be installed between the supply and the unit.

Venting

A vent in the HydroTap may discharge small amounts of water or steam, so tap must be mounted where it can drain.

Ventilation – IMPORTANT

It is essential that the cupboard containing the undersink unit is adequately ventilated as poor air circulation will adversely affect the performance of the HydroTap. Cupboard doors must be offset all round using the 4mm buffers provided and the supplied vent fitted.

If it is not possible to fit the vent in the cupboard door then consideration should be given to installing it in the side wall of the cupboard to dissipate heat to adjoining areas. Where limited ventilation is available it is strongly recommended that the optional auxiliary fan, ref: SP90651, is used. Supplied as standard on BC150/175.

Electrical

To be wired to a double pole fused spur, minimum break capacity of 13 amps. Installation must comply with current IEE regulations.

Caution

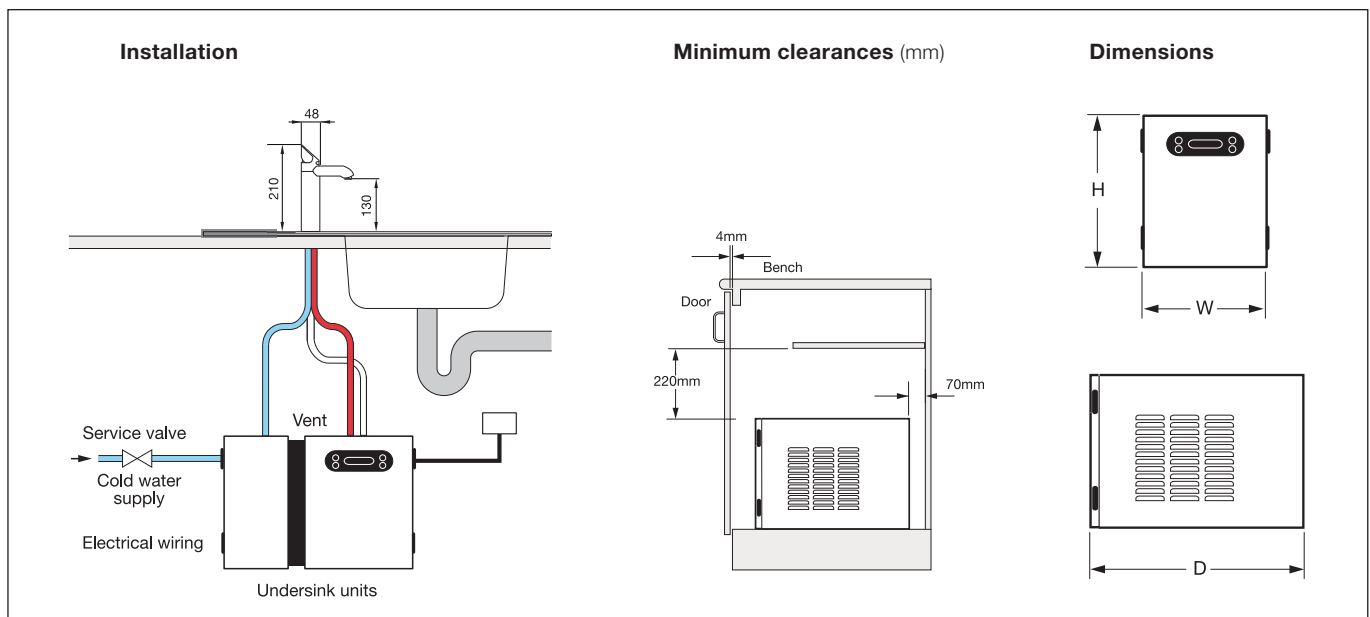
In some hard water areas where mineral scale accumulation may be an issue, consideration should be given to the maintenance required. We recommend the use of Zip FL3000 scale filter system.

Technical Support

Contact Zip on Tel: 0800 077 8302.

Maintenance

Zip HydroCare Tel: 0800 077 8302.



01.01.10