



Zip Contract™

Over-sink water heaters

Open outlet for single point of use
5.0 litre, 10.0 litre



TS 1

Optional accessories

TS1
Telescopic 350 - 600 mm spout

Features

- External temperature control with frost protection
- Over temperature safety thermal fuse
- Remotely resettable over temperature protection (C3/100)
- Inlet control valve and outlet swivel spout supplied
- Impact resistant, easy clean, white plastic casing
- CFC-free insulation
- Choice of 5 or 10 litre capacity

01.01.10



			Dimensions (mm)			Thermal Loss kWh/day	Weight (kg)	
			A	B	C		Empty	Full
Zip Contract™	5.0 litre	C2/50	390	255	215	0.32	3.5	8.5
Zip Contract™	10.0 litre	C2/100	440	310	265	0.40	4.0	14.0
Zip Contract™	5.0 litre	C3/50	390	255	215	0.32	3.5	8.5

- Open outlet, over-basin to single point, vented water heaters
- Swivel arm and inlet control valve
- Full external temperature control with frost protection and economy setting
- Range of 35°C – 80°C
- Over temperature safety thermal fuse to cut off electrical supply to element
- High density CFC-free polyurethane foam insulation
- Corrosion resistant white plastic case

Rating

2.0 kW @ 230V.

Heating element

Embedded rod type.

Thermostat

Capillary type adjustable 35°C – 80°C.

Water tank

Approved polypropylene tested to 40psi.

Case

Impact resistant white plastic.

Insulation

High density, CFC-free, polyurethane foam.

Approvals

WRAS approved and CE endorsed.

Safety features

Safety cut out in the event of a thermostat failure.

Heater protected against freezing while power switched on.

Warranty

One-year on site parts and labour. For full details of the Zip Warranty Scheme visit: www.zipheaters.co.uk/warranty.

Installation

Location

All models should be wall mounted. Screws and plugs suiting most walls provided.

Plumbing

Can be connected to a rising main or to a cistern with a minimum working head of 5 metres.

All water connections are via 15mm compression fittings.

Supplied with a 300mm open outlet spout and water control valve.

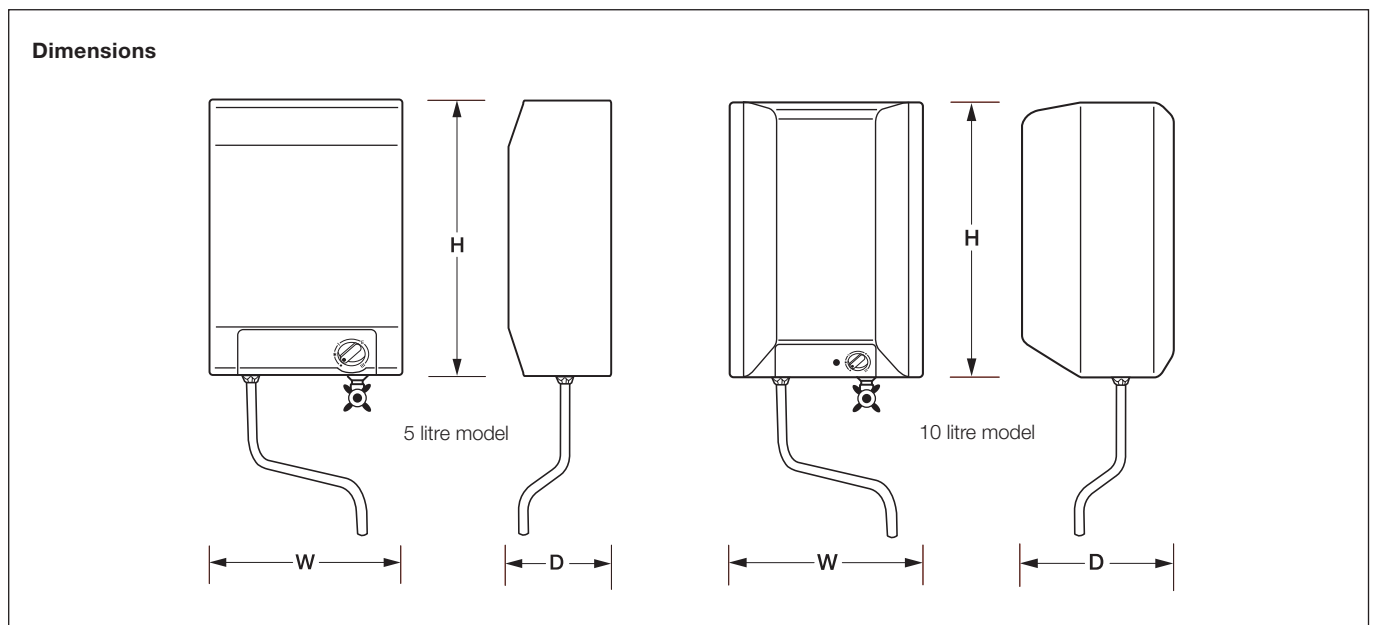
Electrical

To be wired to a double pole fused spur, minimum break rating of 13 amps.

Installation must comply with current IEE regulations.

Caution

Variable temperature water heaters should be set only in strict compliance with regulations governing the temperature of stored and dispensed hot water.



01.01.10