

Zip Chillmaster



Chillmaster

61537 140 Glass/Hr CMCF140SF (Five Micron Filter Factory Fitted)



Read These Warnings First



Please read all installation requirements, installation procedures and precautions before installing any Zip Chillmaster.

Never attempt to install any Zip Chillmaster without reading all of the applicable instructions.

All electrical connections must comply with current wiring rules.

A standard 13 amp fused spur power outlet for connection from the rear of the chiller to the terminal block within the chiller, OR a standard 13 amp double pole fused spur power outlet on the wall within 1500 mm of the chiller.

This appliance is not designed for use by young children or infirm people without supervision.

Young children should be prevented from having access to ensure they are not able to use or play with the chiller.

This appliance must be earthed.

If the power supply cord is damaged it must be replaced by a Zip Service Provider or a qualified electrician.

Do not remove the cover of the appliance under any circumstances without first isolating the appliance from the power supply.

This product is a WRAS approved showing that it complies with: Water Fittings Regulations in England and Wales, the Water Byelaws 2000 in Scotland and the Water Regulations in Northern Ireland.

Installation Instructions

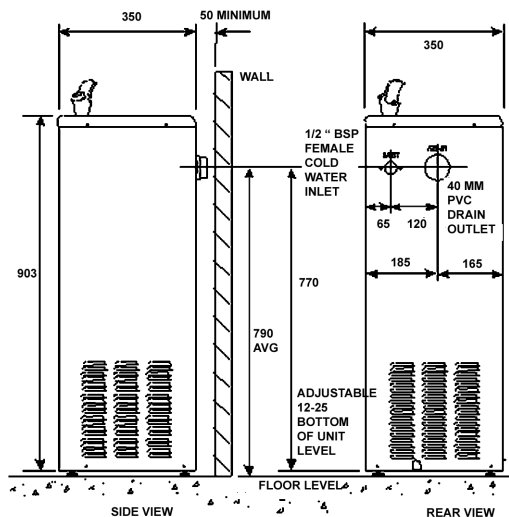
The units are for indoor use only and must not be exposed to the elements of nature.

Finished height will vary due to adjustable feet. The average height for the centre line of the plumbing services is 790 mm.

Place the unit on a level floor and screw the feet in or out as appropriate to make the unit level and steady.

Leave at least a 50 mm gap between the sides of the unit and any walls, to allow air flow through the vents.

The rear of the unit can be flush mounted against the surface of a wall if the plumbing permits.



Installation Instructions *continued*

Plumbing

Connect a cold water supply to the half inch BSP female inlet at the back of the chiller where shown in the diagram.

Connect a drain to the 40 mm PVC female outlet at the back.

Alternatively, there are pre-punched holes in the base of the Chillmaster for bottom access to plumbing services.

All valves necessary for use with the Chillmaster are already fitted within the unit. This appliance incorporates backflow protection. No further backflow protection is required for connection to the water supply. A special surge protection system is totally self contained within the Chillmaster, to protect it from damage.

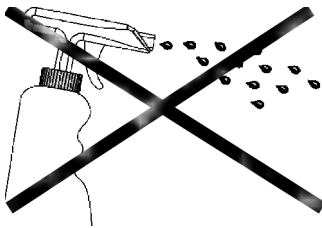
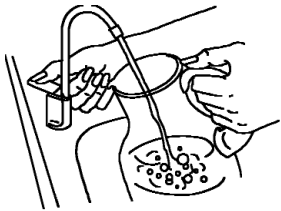
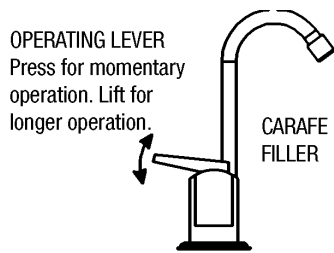
DO NOT ADJUST, ALTER OR REMOVE THE VALVE ASSEMBLY.

Purge the air from the unit when the plumbing connections are complete by turning 'ON' the water supply and pressing the handle on the carafe filler until the water flows through without spluttering.

Electrical

Electrical connection is to be made by a qualified electrical tradesperson. The connection point is behind the front cover.

Operating Procedures



Operation

Chilled water is obtained momentarily by pressing the carafe filler lever.

Lifting the lever on the carafe filler will supply water until the lever is flipped back down.

The water is chilled by a refrigeration unit fitted within the cabinet stand, under the basin.

With the carafe filler, you can obtain chilled water within the rated capacity for as long as you press down the lever, or for longer periods, (e.g. when filling a glass or carafe), by lifting the lever up until it clicks and stays open. Flip it back down to stop the water flow.

Cleaning

Never use strong, corrosive or abrasive cleaning materials.

Wipe clean the outer surfaces with a sponge or a soft cloth using a mild soap and water.

The basin is made of stainless steel that will show scratches if an abrasive cleaning product is used. If this model has a stainless steel case, it too will show scratches if an abrasive cleaning product is used.

The louvres on the sides need to be kept free of dust and lint to permit free flow of air throughout the vents. They should be checked regularly, at least monthly, and dusted or vacuumed.

Service

There are no user serviceable parts but there are dangerous voltages present within the unit. All service work must only be carried out by a suitably qualified and experienced service person.

Before calling for service, check that both the water and electricity supplies are turned 'ON' and OK.

Call an electrician, a plumber, or Zip Customer Service for assistance, service, spare parts, or enquiries.

Operating Procedures continued

Filter replacement

Your Zip Chillmaster has a filter replacement reminder light that shows through the front label. The 2 AAA reminder light batteries must be replaced at the same time as the filter.

Normal operation is for the light to flash once per minute. When the filter cartridge is due for replacement, the indicating light will flash once per second. Not changing cartridges when required may cause the water to become biologically unsafe. For safe operation, the filter cartridge should be replaced at least every 6-12 months, when the reminder light flashes once a second, or earlier if you notice a persistent reduction in water pressure from the bubbler or an unpleasant taste or odour in the water.

Use only a Zip Filter to match that used in the Chillmaster. Replacement filter cartridges can be obtained through plumbing suppliers or directly from Zip.

When replacing a filter use only the appropriate Zip five micron filter.

SUBSTANCE REDUCTION**Zip Water Filter Model 55500 (Five Micron Double Action 250mm)**

Performs in accordance with AS/NZS 3497 for reduction of chlorine, odour and taste as shown below. The substances listed may not be in your water.

Class	Treatment Type	Function	Pass
I	Microbiological Status Bacteriostatic	Will stop bacteria increasing, but will not remove them unless II (a) is passed	N/A
II	Microbiological Treatment Bacteria Removal	Will remove or inactivate bacteria	N/A
II (a)			
II (b)	Virus Removal	Will remove or inactivate virus	N/A
II (c)	Protozoa Removal	Will remove or inactivate cryptosporidium and giardia. Will not remove or inactivate bacteria and viruses unless II (a) and II (b) are passed	N/A
III	Turbidity and Particulate Reduction	Will reduce cloudiness	✓
IV	Taste and Odour Reduction	Will reduce tastes and odours	✓
V	Chemical Treatment	Will decrease chlorine compounds	✓

"This appliance may increase the bacterial content of water unless supplementary treatment is provided".

Legend: ✓ = Pass

N/A = Not applicable

PERFORMANCE SPECIFICATION**Zip Water Filter Model 55500 (Five Micron Double Action 250mm)**

The filter cartridge has been designed to perform to the following specifications

Chlorine, Taste/Odour Reduction (for 5678 litres approx): Class 1* (as tested in accordance with ANSI/NSF Std 42)

Substance	*Guidelines or †USEPA SDWA MCL	Average Influent Concentration	Maximum Effluent Concentration	Minimum Percent Removal	Average Effluent Removal	Average Percent Removal
Chlorine	-	2mg/L	0.5 mg/L	>75%	N/A	N/A

mg/L = milligrams per litre (1 mg/L = 1 part per million)

* Australian Drinking Water Guidelines - 1996

†United States Environmental Protection Agency (USEPA) Safe Drinking Water Act

REPLACEMENT FREQUENCY INSTRUCTION**Zip Water Filter Model 55500 (Five Micron Double Action 250mm)**

Be sure to change the filter cartridge at least every 5678 litres or at least every 12 months or whenever you detect a change in taste, odour, or a decrease in flow - 5678 litres is equal to using approximately 15 litres daily for one year.

Warranty Information

The Zip appliance you have chosen is precision-built from the finest materials available and should give many years of trouble free service.

Certain warranties may be implied by law into your contract with Zip. The warranty provided below is additional to these implied warranties and nothing set out below shall limit your statutory rights or rights at law.

Zip Heaters UK Pty Ltd warrants that, should any part fail within 12 calendar months of installation, that part will be repaired or replaced free of charge by Zip or its Distributor or Service Provider, except as set out below, provided the appliance is installed and used strictly in accordance with the instructions supplied, and that failure is not due to accident, misuse, abuse, unsuitable water conditions, or to any alteration, modification or repair by any party not expressly nominated by Zip.

No costs are payable by the customer other than any mileage or travelling-time charges incurred by a Zip Service Provider or the cost of removal, cartage and re-installation of any component of the appliance if it needs to be returned for repair to Zip or its Distributor.

This warranty does not cover damage resulting from non-operation of the appliance or consequential damage to any other goods, furnishings or property.

No warranty applies to the life of any filtration cartridge installed with the appliance as cartridge life may vary according to water quality and the rate of water consumption.

Zip does not exclude, restrict or modify any liability that cannot be excluded, restricted or modified or which cannot, except to a limited extent, be excluded, restricted or modified as between the owner or user and Zip under the laws applicable.

Furthermore, this warranty does not displace any statutory warranty, but, to the extent to which Zip is entitled to do so, the liability of Zip under any statutory warranty will be limited at Zip's option to the replacement of the appliance or supply of equivalent appliance, the payment of the cost of replacing the appliance or acquiring an equivalent appliance, or the payment of the cost of having the appliance repaired or the repair of the appliance.

Registering Your Purchase

Registering your Zip installation on the Zip website may help to establish date of installation should it become necessary to service the appliance under terms of the Zip warranty. To register your installation go to www.zipheaters.co.uk and look under the heading "Warranty".

Contact Details

Zip Heaters (UK) Ltd
14/15 Bertie Ward Way
Rash's Green Dereham
Norfolk NR19 1TE

www.zipheaters.co.uk
Telephone: 0870 608 8888
Facsimile: 01362 692448

