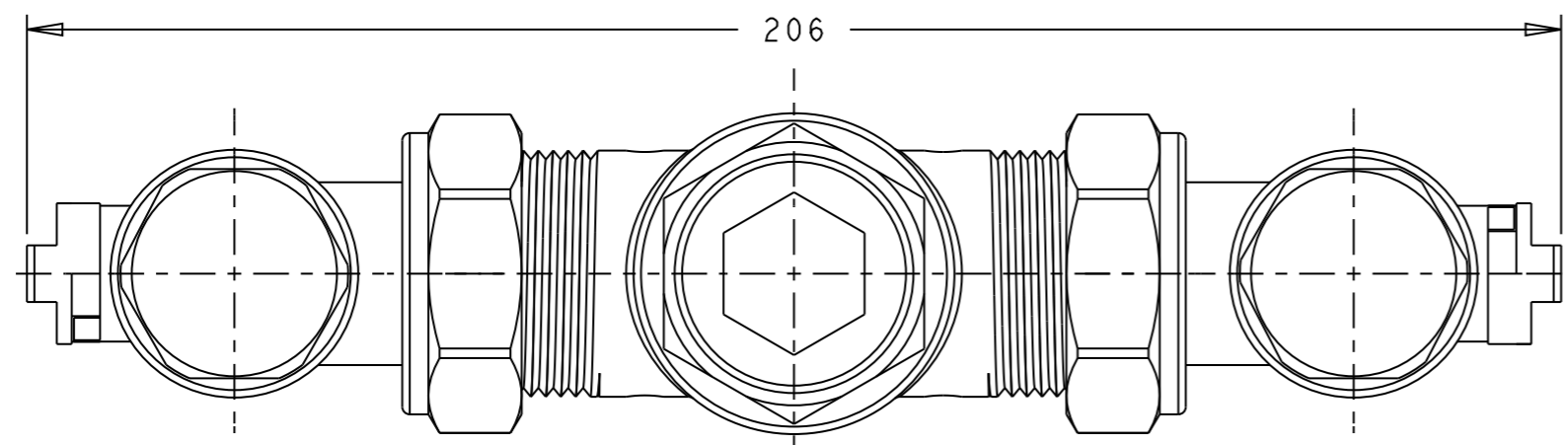
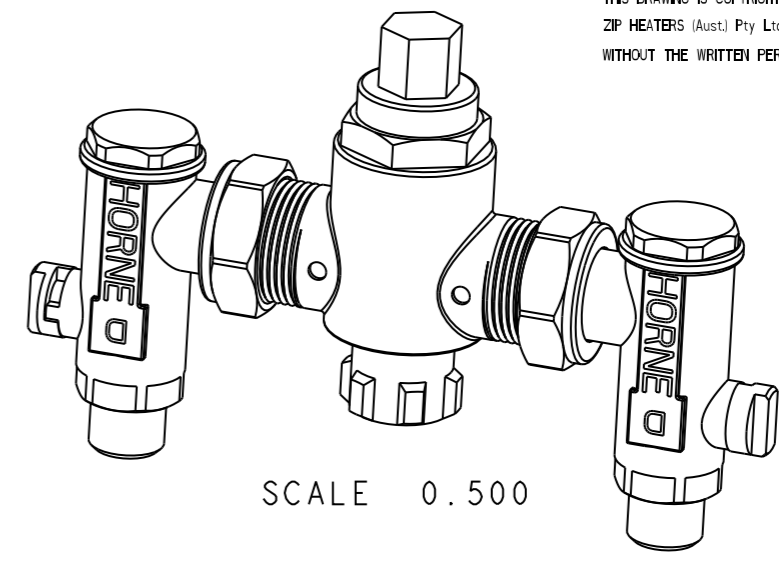


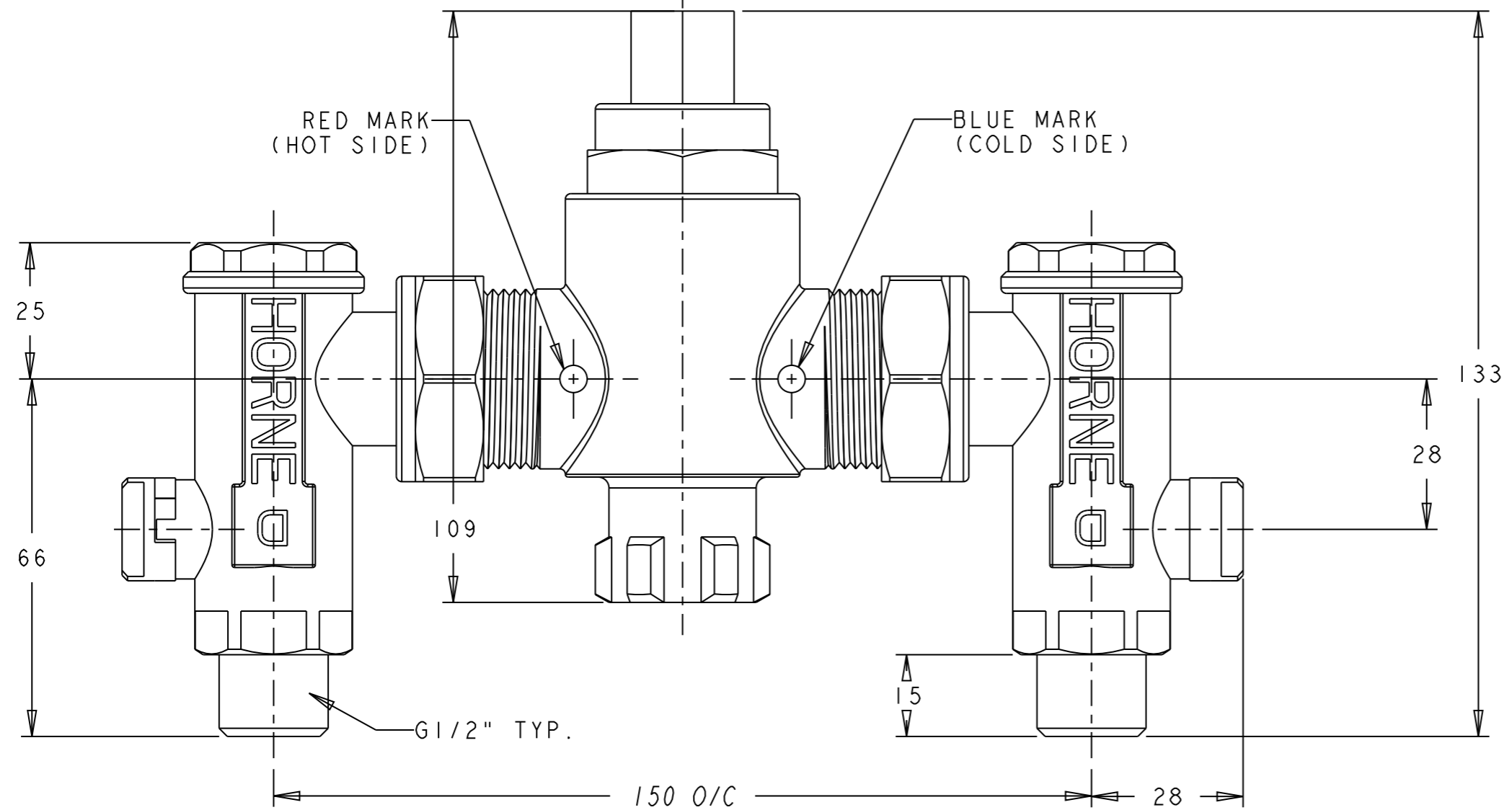
THIS DRAWING IS COPYRIGHT. IT REMAINS THE PROPERTY OF  
 ZIP HEATERS (Aust.) Pty Ltd AND MUST NOT BE REPRODUCED  
 WITHOUT THE WRITTEN PERMISSION OF THE COMPANY



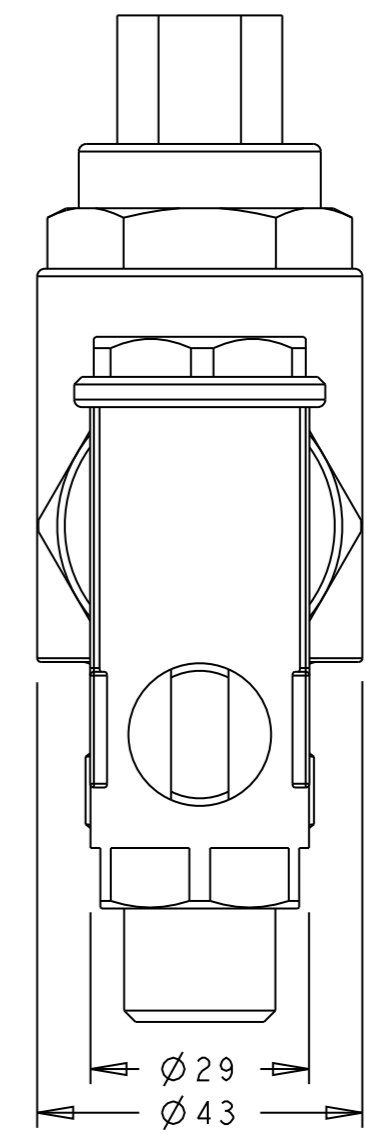
TOP VIEW



SCALE 0.500



FRONT VIEW



SIDE VIEW

	A	N/A	FIRST RELEASE	11-May-2009
	Iss	ER No.	Description	By Date

<b>ZIP HEATERS (AUST.) P/L</b>	
<b>HORNE-TMV-1502-V2004</b>	
Model Name	HORNE-TMV-1502-V2004 (ASSEM)

Designed	Appr'd	Date	Sheet No.
		11-May-2009	1 of 1
Drawn	EVG	Drawing No.	
Date	11-May-2009	86003	
Scale	1.000		
Drw Name	86003-HORNE-TMV15G		

A3